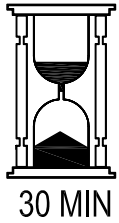
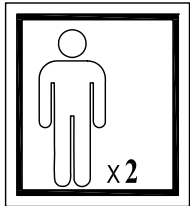
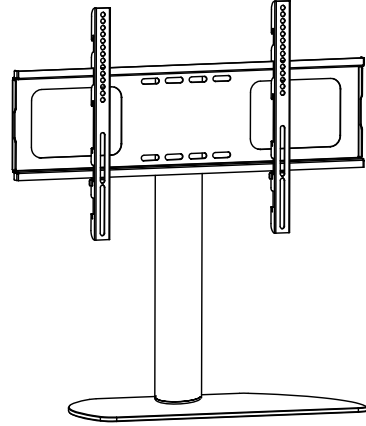




HomeTheater
Accessories

HTA3770



A. A x 2



B. B x 4



C. (Ø22 Plastic part) x 2



D. D x 2



E. E x 2



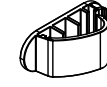
F. (Ø16) x 4



G. (Ø16mm Plastic part)x2



H. H x 1



I. I x 1



J. J x 2



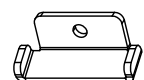
K. K x 2



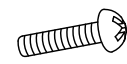
L. L x 6



M. M x 2



N. N x 2



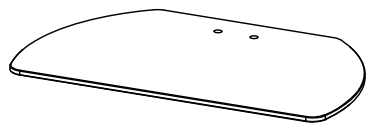
O. O x 1



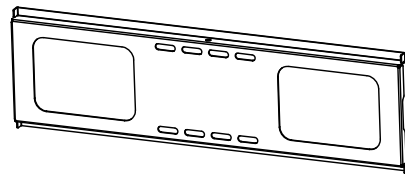
P. P x 1



Q. Q x 1



① x 1



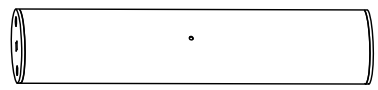
② x 1



③ x 2



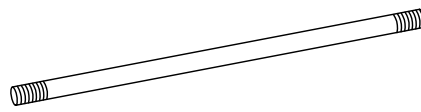
④ x 1



⑤ x 1

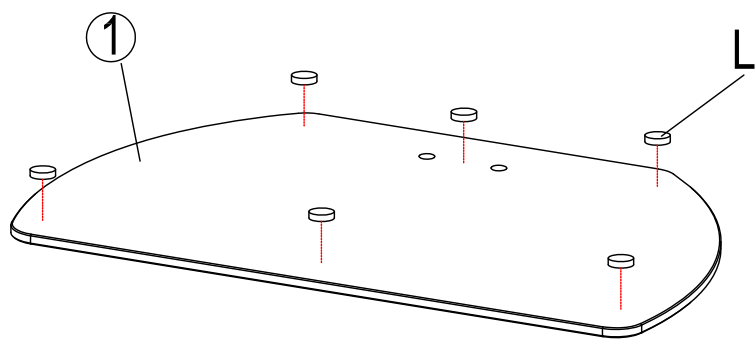


⑥ x 2

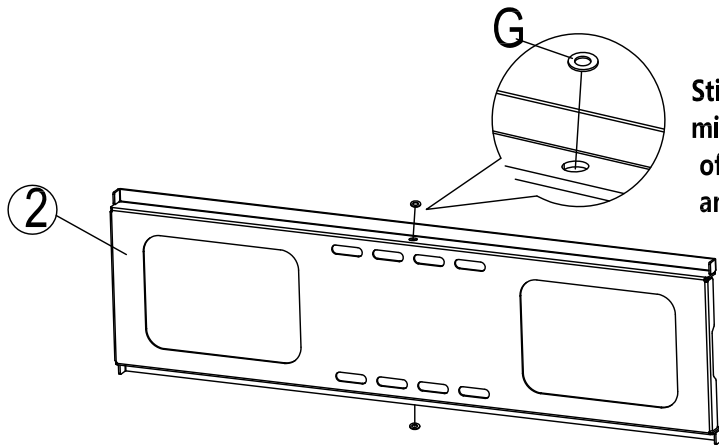


⑦ x 2

1

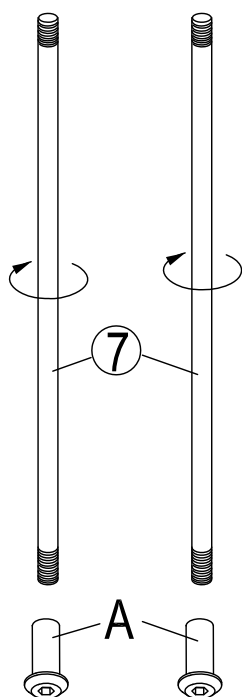


2

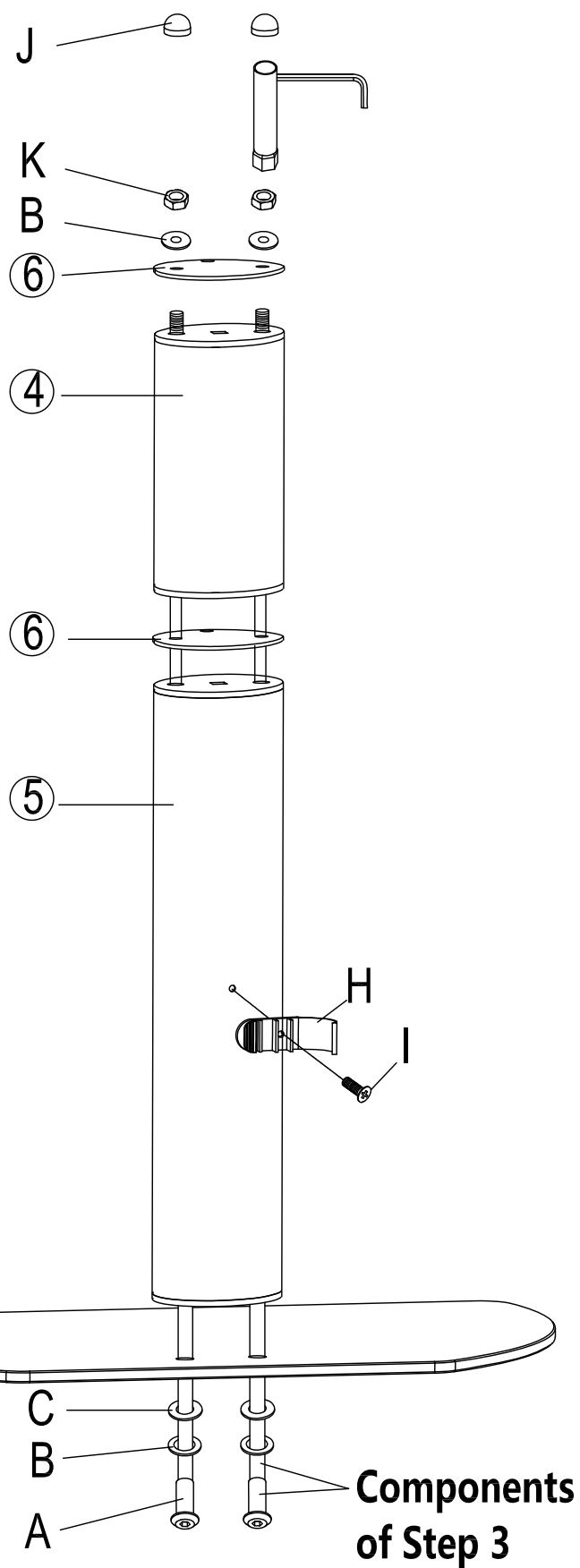


Stick Part G to the middle hole position of the steel frame up and down .

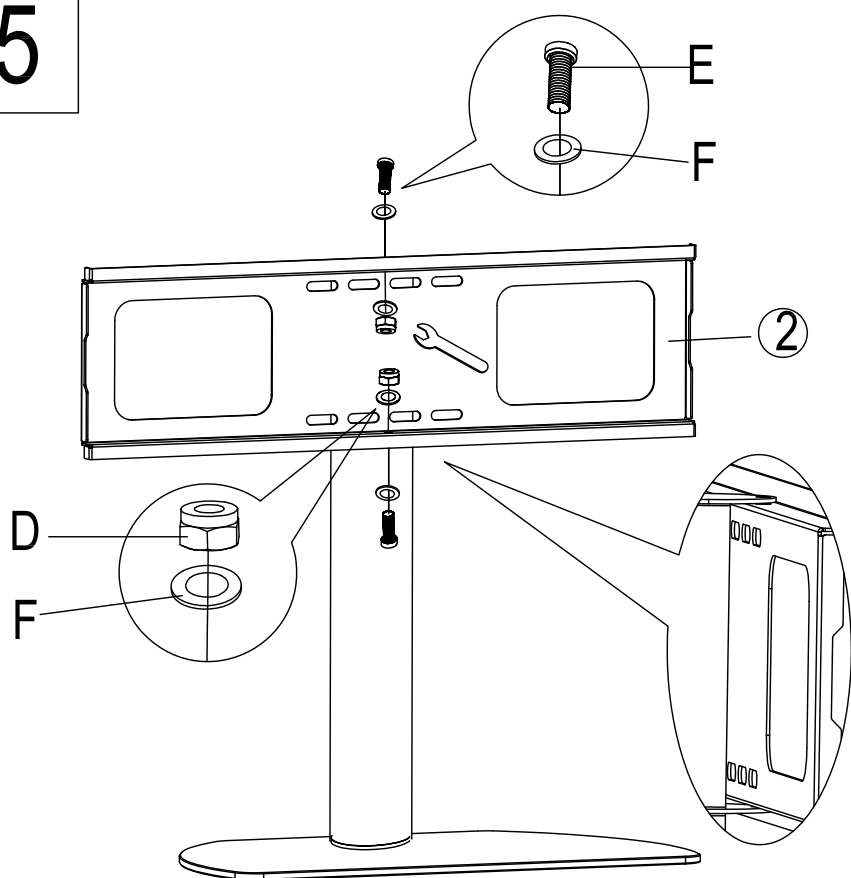
3



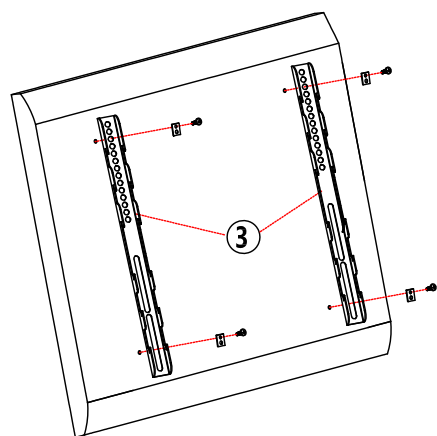
4



5



6



Choose right screws for TV

No.	Part Description	Part Sketch Map	Qty
1	M8X16		4
2	M8X40		4
3	M6X12		4
4	M6X35		4
5	Space		4
6	Square Washer		4

7

