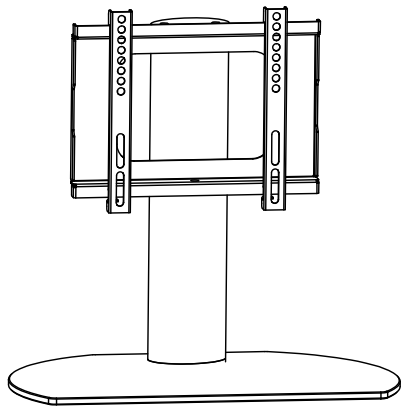




HomeTheater
Accessories

HTA2037



A. A x 2



B. B x 4



C. (Ø22 Plastic part) x 2



D. D x 2



E. E x 2



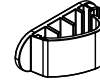
F. (Ø16) x 4



G. (Ø16mm Plastic part)x2



H. H x 1



I. I x 1



J. J x 2



K. K x 2



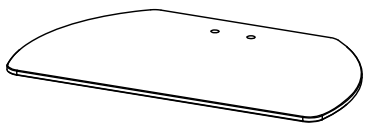
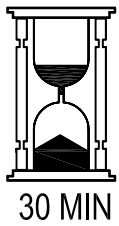
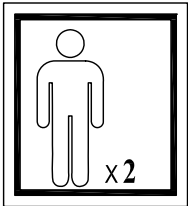
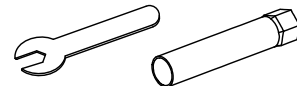
L. L x 5



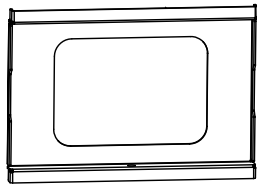
M. M x 1



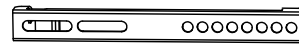
N. N x 2



① x 1



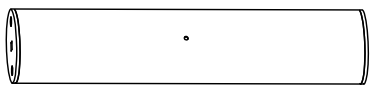
② x 1



③ x 2



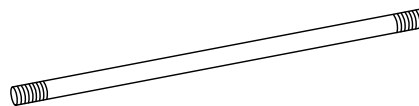
④ x 1



⑤ x 1

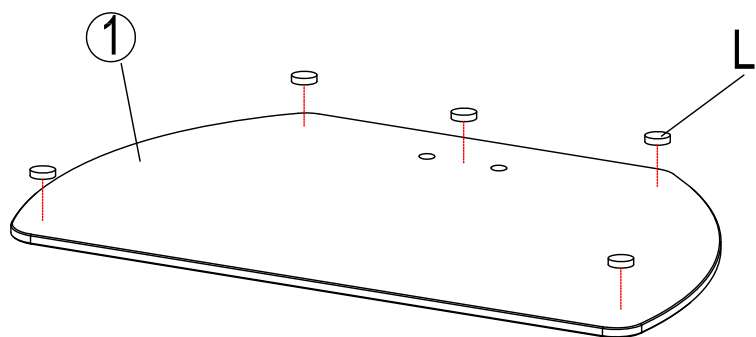


⑥ x 2

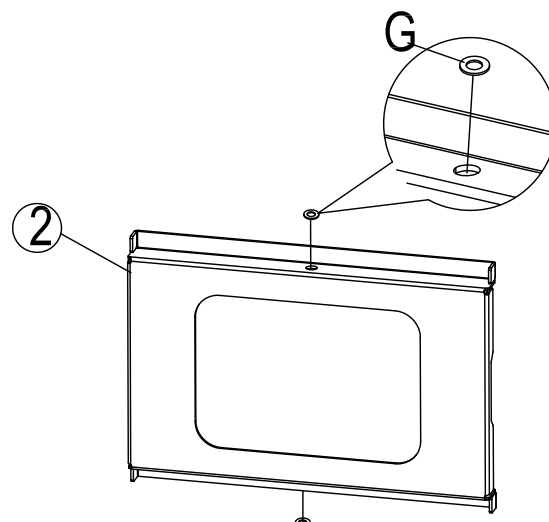


⑦ x 2

1

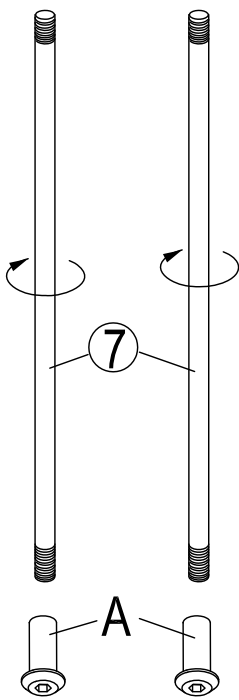


2

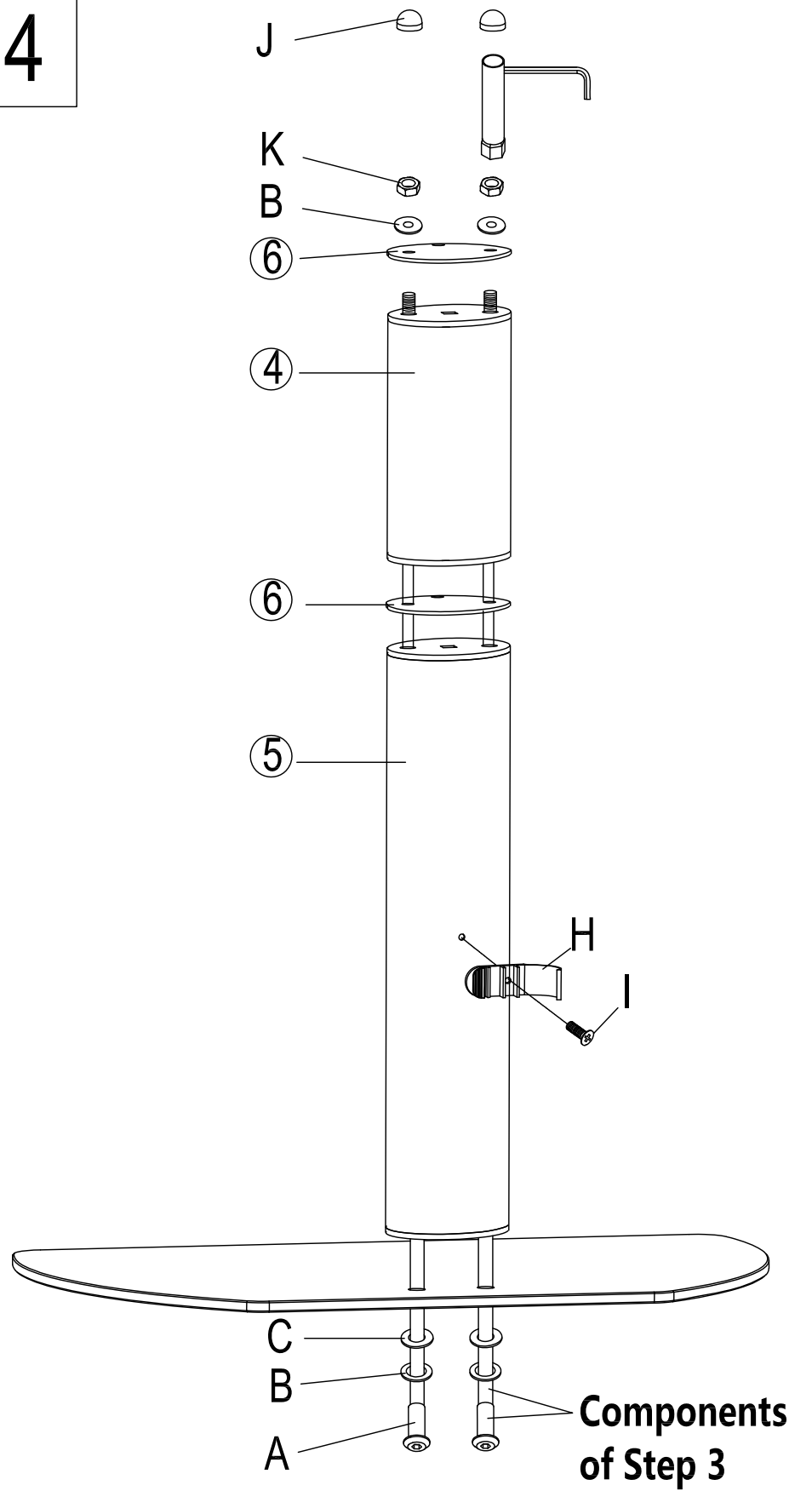


Stick Part G to the middle hole position of the steel frame up and down.

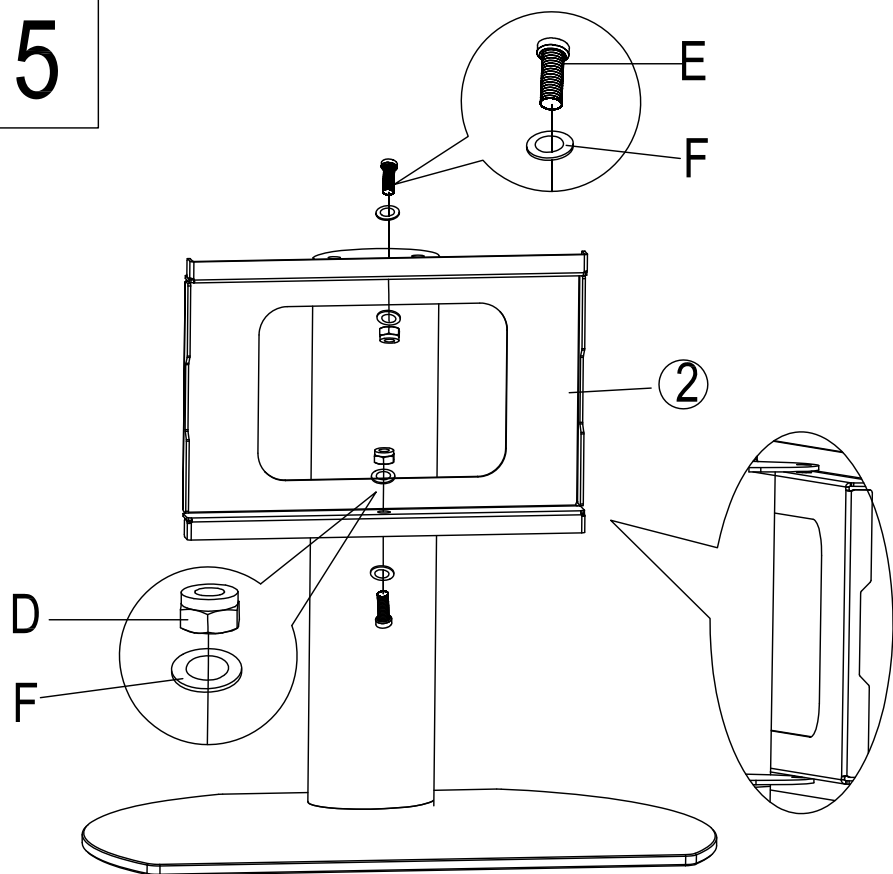
3



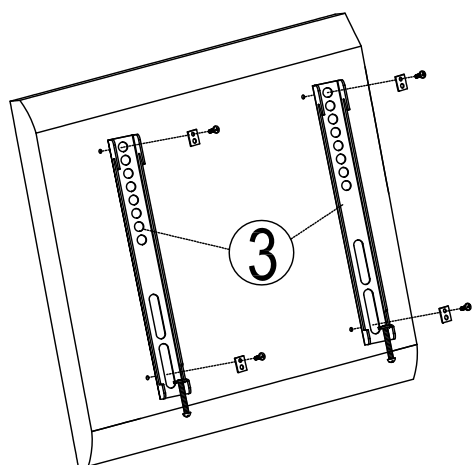
4



5



6



Choose right screws for TV

Screws for TV (PACK)	No.	Part Description	Part Sketch Map	Qty
	1	M8X16		4
	2	M8X40		4
	3	M6X12		4
	4	M6X35		4
	5	Space		4
6	Square Washer		4	

7

